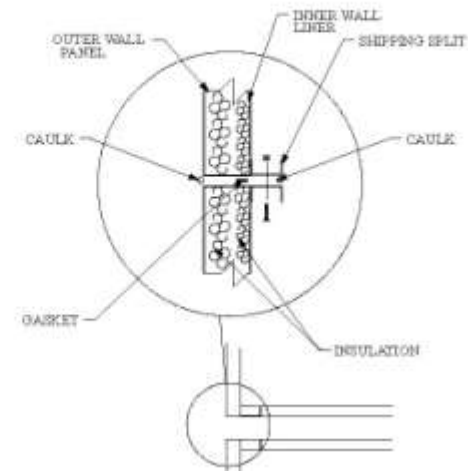
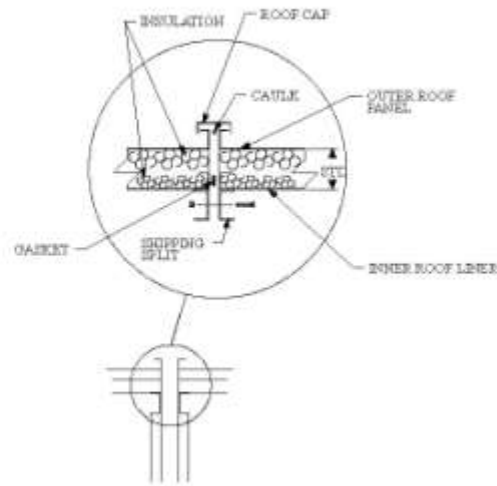
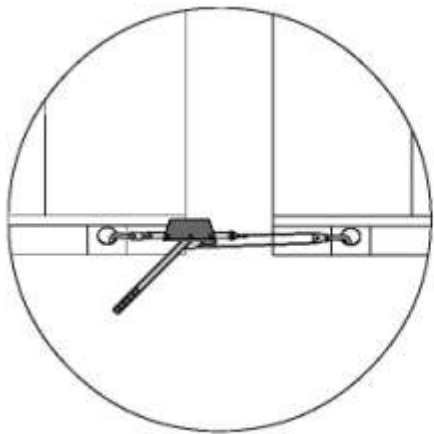


FIELD ASSEMBLY INSTRUCTIONS

1. Carefully check the unit for physical damage that may have occurred in transit. If parts are missing or damage has occurred, the bill of lading should be so noted.
2. Identify the different unit sections; the Outside Air inlet hood and other parts may be on separate pallets or in the unit for transport.
3. Lift first section of the unit into place and install gasket material to shipping split as per drawing on page 2.
4. Lift second unit into place and align. Use a come-along (as shown in the picture below) to slide second piece up to the first piece and then bolt the two sections together with the bolts supplied.
 Note: The steel might have to be jacked or pieces shimmed if deflection prevents the unit from lining up properly.
5. Repeat step four for any additional sections for the unit.
6. Caulk the shipping splits as shown below, and then apply the roof cap over the shipping split on top of the unit to insure a proper seal.

If you have any further questions, please feel free to contact the factory at the number below.



FIELD ASSEMBLY INSTRUCTIONS

