

Surgical Suite - DOAS System

The Choice is Yours — Achieve Your Target

Temperature	Humidity
68°F	32%
62°F	40%
55°F	50%

**Space Conditions Achievable*

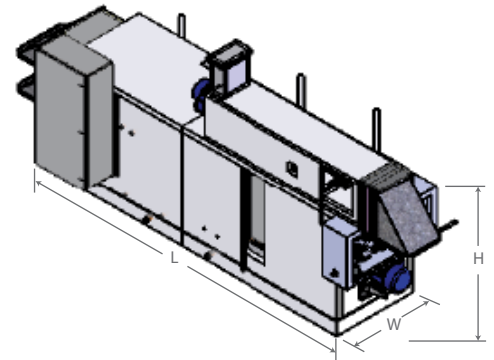
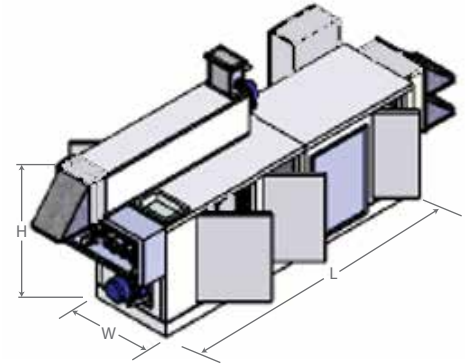
- Control humidity and temperature independently for surgeon and patient comfort
- Use standard utilities e.g.- 45°F chill water (no low temp CW or DX needed)
- Lowest first cost when paired to a primary AHU
- Meet infection control goals
- Much more efficient than Cool-Reheat AHU

Surgical Suite - DOAS System

Airflow range from 2,000 CFM to 16,000 CFM

Casing Dimensions

Size (CFM)	L (in.)	W (in.)	H (in.)
2,000	134	37	72
4,000	140	48	80
6,500	152	56	92
10,000	164	68	106
16,000	194	82	100



- Simple design
- Compact Footprint
- Low costs make Administrators smile
- Surgeons love the **cool, dry** conditions
- **Simple retrofit** solution to achieve new, **drier conditions** on existing systems